

# 650 TV Lines Resolution & Durability



Premium Resolution WDR Vandal-Resistant Dome Camera

## SCV-3082

The SCV-3082 is a high performance Wide Dynamic Range (WDR) vandal resistant dome. Equipped with our SV-V DSP chipset, it delivers quality results in low-light environments down to 0.1 Lux. Equipped with a built in 3.9x varifocal lens (2.8 ~ 11mm) which provides maximum flexibility for installation and video analytics function to assist the operator in identifying potential issues. In addition, the SCV-3082 is rated IP66 and high impact IK10.

- High resolution of 650TV lines, 700TV lines (B/W)
- Min. illumination 0.1Lux@F1.2 (Color), 0.01Lux (B/W)
- 3.9x V/F lens (2.8 ~ 11mm), WDR, VPS, intelligent Video
- True Day & Night (ICR), MD, SSNRIII (3D+2D)
- IP66, Coax : Pelco-C (Coaxitron), Dual power

# Premium Resolution WDR Vandal-Resistant Dome Camera

## SCV-3082

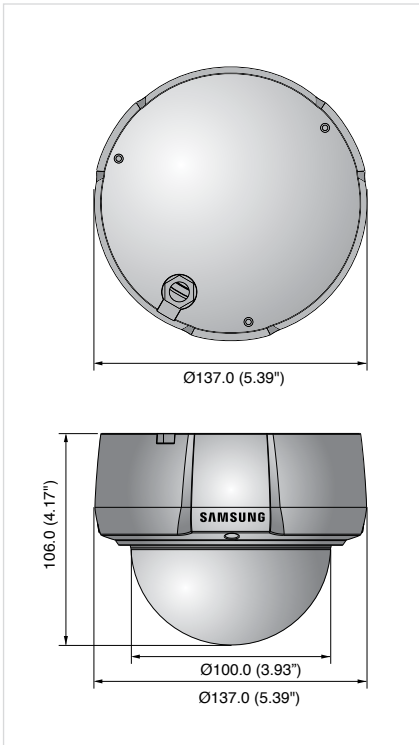


### Specifications

	SCV-3082N	SCV-3082P
<b>VIDEO</b>		
Imaging Device	1/3" Super HAD CCD (Double Scan)	
Total Pixels	1,028(H) x 508(V)	1,028(H) x 596(V)
Effective Pixels	976(H) x 494(V)	976(H) x 582(V)
Scanning System	2 : 1 Interlace	
Synchronization	Internal/Line Lock	
Frequency	H : 15.734KHz / V : 59.94Hz	H : 15.625KHz / V : 50Hz
Horizontal Resolution	Color : 650 TV lines, B/W : 700TV lines	
Min. Illumination	Color : 0.1Lux (50IRE@F1.2), 0.0002Lux(Sens-up, x512) B/W : 0.01Lux(50IRE@F1.2), 0.00002Lux(Sens-up, x512)	
S / N Ratio	52dB (AGC off, Weight on)	
Video Output	CVBS : 1.0 Vp-p / 75Ω composite	
<b>LENS TYPE</b>		
Focal Length (Zoom Ratio)	2.8 ~ 11mm (3.9x)	
Max. Aperture Ratio	1:1.2(Wide) ~ 2.8(Tele)	
Angular Field of View	H: 102°(Wide) ~ 28°(Tele) / V: 73°(Wide) ~ 21°(Tele)	
Min. Object Distance	0.2m (7.87")	
Lens Type	DC Auto Iris	
Mount Type	Board Type	
<b>PAN / TILT</b>		
Pan Range	0° ~ 352°	
Tilt Range	0° ~ 73°	
Rotate Range	0° ~ 348°	
<b>OPERATIONAL</b>		
On Screen Display	English, Japanese, Spanish, French, Portuguese, Taiwanese, Korean	English, French, German, Spanish, Italian, Chinese, Russian, Polish, Czech, Romanian, Serbian, Swedish, Danish, Turkish, Portuguese
Camera Title	Off / On (Displayed 15 characters)	
Day & Night	Auto (ICR) / External / Color / B/W	
Backlight Compensation	Off / User BLC / HLC / WDR	
Wide Dynamic Range	128x (52dB)	160x (54dB)
Contrast Enhancement	SSDR	
Digital Noise Reduction	SSNR III (Off / On)	
Digital Image Stabilization	Off / On	
Motion Detection	Built-in	
Privacy Masking	Off / On (12 programmable zones)	
Sens-up (Frame Integration)	2x ~ 512x	
Gain Control	Off / Low / High	
White Balance	ATW / Outdoor / Indoor / Manual / AWC (1,700K° ~ 11,000K°)	
Electronic Shutter Speed	1/60 ~ 1/120,000 sec	1/50 ~ 1/120,000 sec
Digital Zoom	Off / On (1x ~ 16x)	
Reverse	Off / H-Rev / V-Rev / HV-Rev	
Profile	Basic, Day & Night, Backlight, ITS, Indoor, User	
VPS	Off / On	
Intelligent Video Analytics	Fixed_Moved, Fence, Tracking, Detection, Counting	
PIP	Off / On	
Alarm	1 Out	
Communication	Coaxial Control (SPC-300 Compatible)	
Protocol	Coax : Pelco-C (Coaxitron)	
<b>ENVIRONMENTAL</b>		
Operating Temperature / Humidity	-10°C ~ +50°C (+14°F ~ +122°F) / Less than 90% RH	
Ingress Protection	IP66	
<b>ELECTRICAL</b>		
Input Voltage	Dual (24V AC±10% & 12V DC±10%)	
Power Consumption	Max. 3.5W	
<b>MECHANICAL</b>		
Color / Material	Body : Ivory, ALDC12, Dome Cover : PC	
Dimension (WxH)	Ø137.0 x 106.0mm (5.39" x 4.17")	
Weight	700g (1.54 lb)	

### Dimensions

Unit : mm (inch)



The Eco mark represents Samsung Techwin's will to create environment-friendly products, and indicates that the product satisfies the EU RoHS Directive.

Design and specifications are subject to change without notice.



#### SAMSUNG TECHWIN CO., LTD.

701, Sampyeong-dong, Bundang-gu, Seongnam-si, Gyeonggi-do Korea 463-400  
Tel : +82-70-7147-8741 ~ 8749, 8752 ~ 8760 Fax : +82-31-8018-3745  
www.samsungsecurity.com www.samsungcctv.com

#### SAMSUNG TECHWIN AMERICA INC.

100 Challenger Rd. Suite 700 Ridgely Park, NJ 07660  
Toll Free : +1-877-213-1222 Direct : +1-201-325-6920  
Fax : +1-201-373-0124  
www.samsungcctvusa.com

#### SAMSUNG TECHWIN EUROPE LTD.

Samsung House, 1000 Hillwood Drive, Hillwood Business Park  
Chertsey, Surrey, UNITED KINGDOM KT16 0PS  
Tel : +44-1932-45-5300 Fax : +44-1932-45-5325

#### TIANJIN SAMSUNG TECHWIN OPTO-ELECTRONICS CO., LTD.

No.11 Wei 6 Street, Micro-Electronic Industrial Park  
Jingang Road, Tianjin, P.R. CHINA 300385  
Tel : +86-22-23887788 Fax : +86-22-23887788

■ DISTRIBUTED BY

